



# PLUSH SPRING HORSE MANUAL



**SCAN ME!**

To watch the Spring Horse Assembly video.

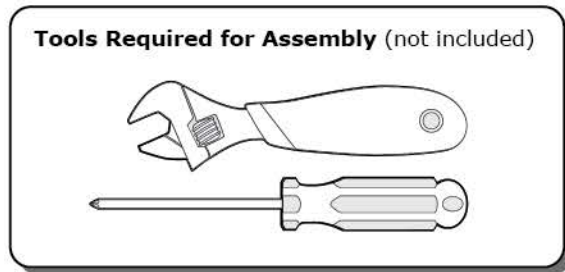
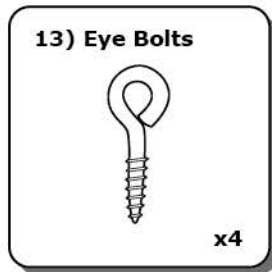
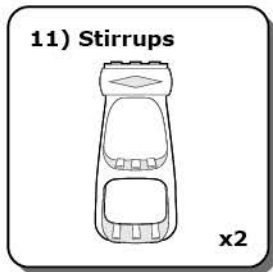
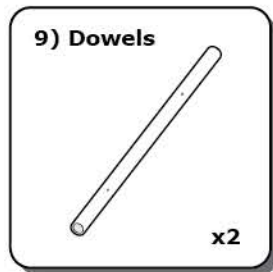
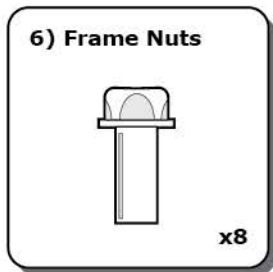
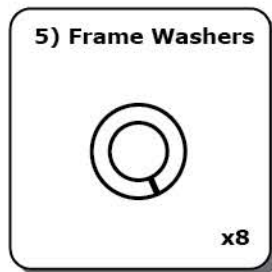
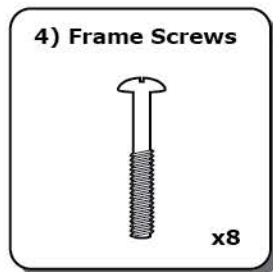
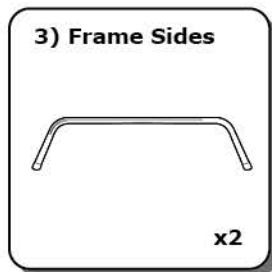
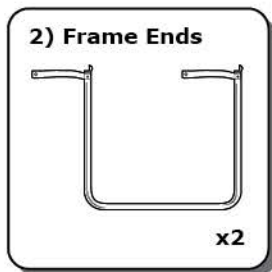
## OWNER'S MANUAL

### ⚠ WARNING

- **PARENTS: MONITOR YOUR CHILD'S PLAY ACTIVITY TO ENSURE PROPER AND SAFE USE OF THIS PRODUCT.**
- **REMOVE ALL PACKAGING, CLIPS, STAPLES, TIES AND SIMILAR ATTACHMENTS BEFORE GIVING THIS TOY TO A CHILD, AS THESE ATTACHMENTS POSE A POTENTIAL CHOKING HAZARD AND ARE NOT PART OF THE TOY.**
- **ADULT ASSEMBLY IS REQUIRED.**
- **PARENTAL SUPERVISION IS REQUIRED.**
- This product is designed for a child at least 2 year's old and weight not exceeding 65 lbs (29.5 kgs).
- Allow only one child on the product at a time.

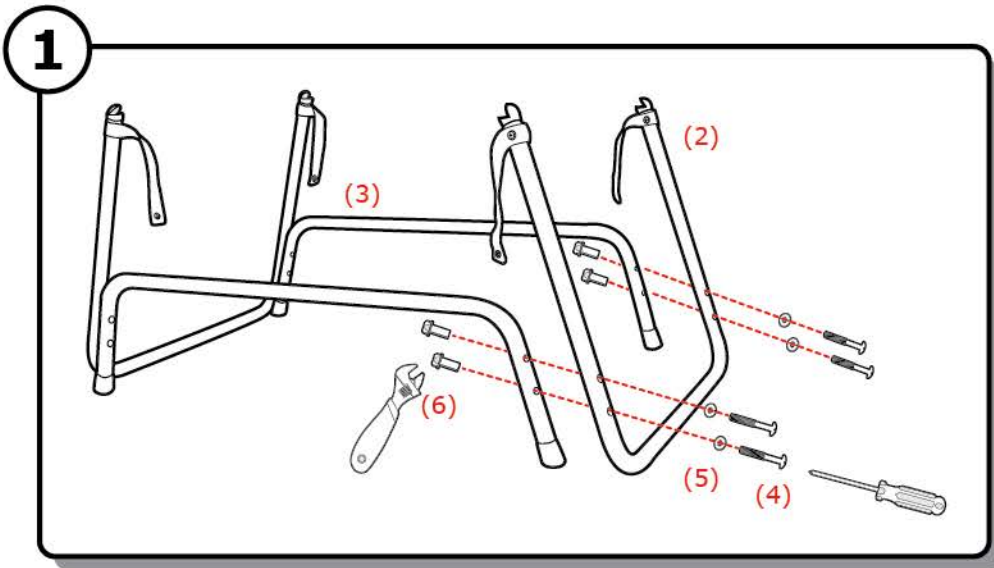
- Never allow the child to play with the product near roadways, streets, swimming pools, hills, sloped driveways, ramps, steep inclines, or stairs. Use only on a level surface.
- Always wear shoes while riding.
- Do not allow another child to push the product when a child is sitting on it.
- Do not allow the child to stand on the product.
- The child should always sit in the forward facing position.
- The child's feet should remain in the stirrups at all times while riding the toy.
- Inspect toy periodically for loose or damaged components.

## PARTS AND TOOLS LIST



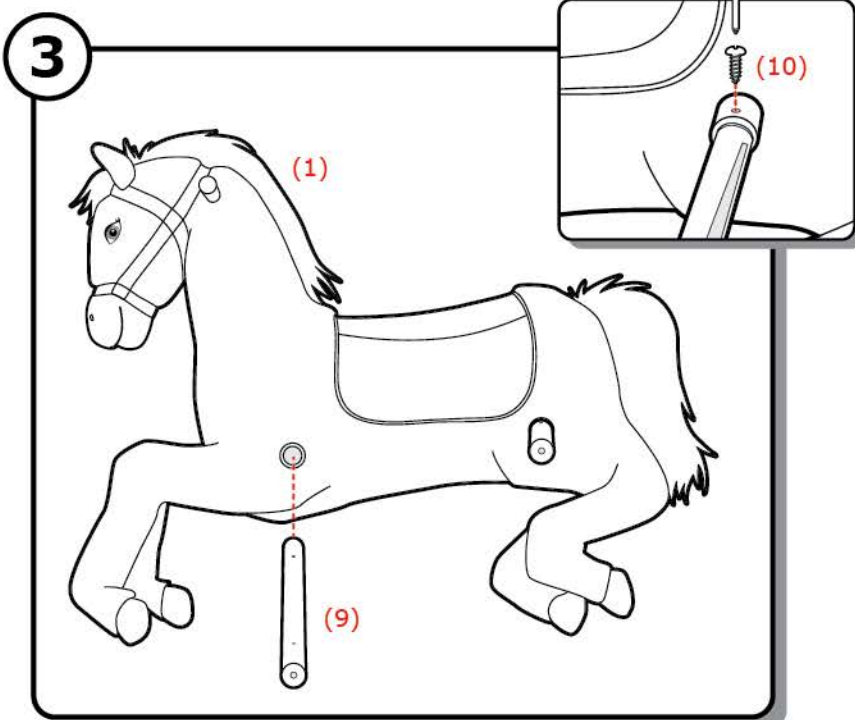
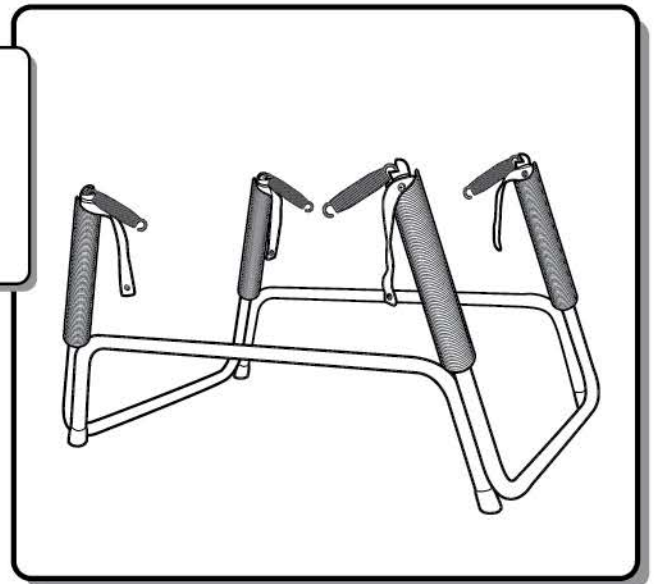
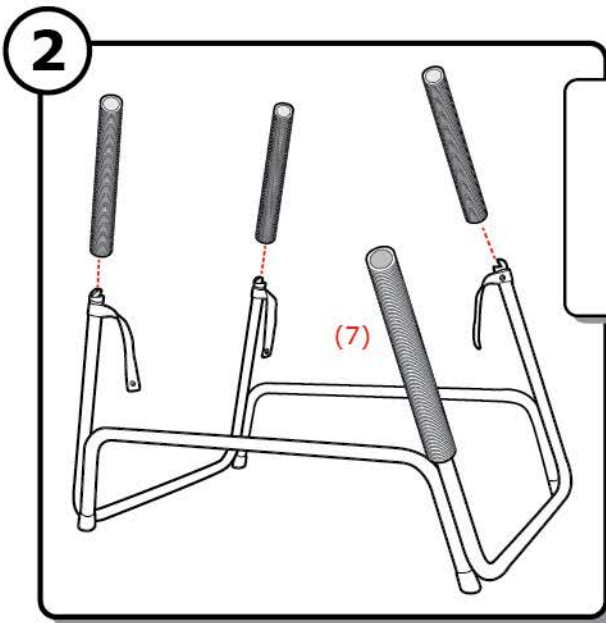
**⚠ WARNING :**  
**ADULT SUPERVISION REQUIRED.**  
 THIS PACKAGE CONTAINS SMALL PARTS WHICH HAVE HAZARDOUS SHARP POINTS IN THE UNASSEMBLED STATE. FOR ADULT ASSEMBLY ONLY. CARE SHOULD BE TAKEN IN THE UNPACKING AND ASSEMBLY OF THIS TOY.

**⚠ WARNING :**  
 ANY RUBBER BANDS, PLASTIC SECURING BANDS, WIRE TIES AND TAGS, USED IN THIS PACKAGING ARE NOT PART OF THIS PRODUCT AND SHOULD BE REMOVED FOR YOUR CHILD'S SAFETY. ANY CONTACT WITH MOISTURE OR LIQUID WILL DAMAGE THE ELECTRONICS. COLORS AND DECORATIONS MAY VARY.



**Step 1:**

Connect the two frame ends (2) to the frame sides (3) using the frame screws (4), frame washers (5), and frame nuts (6). Make sure the hoods of the white frame caps are facing in on both frame ends. Ensure that each corner of the frame is secured with two sets of screws, nuts, and washers.

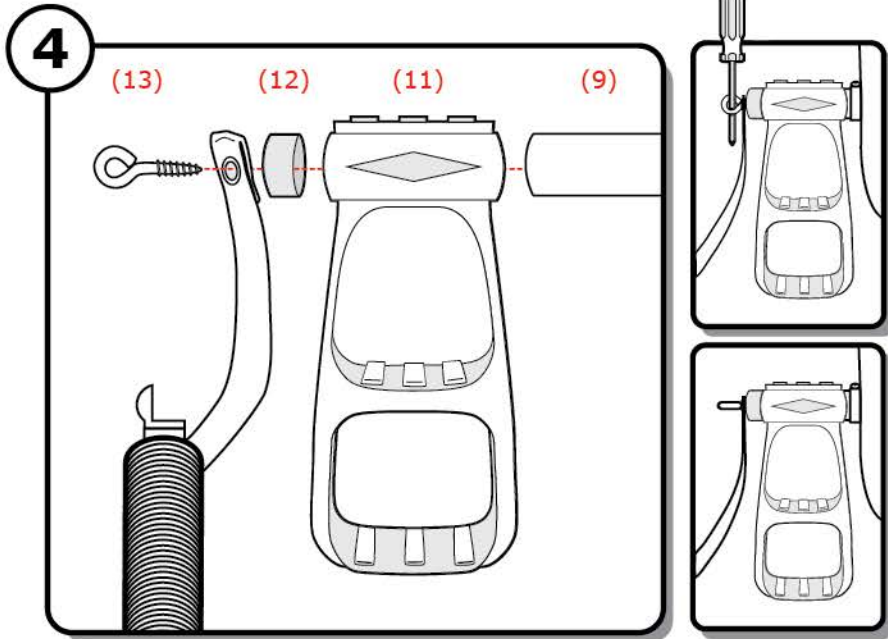


**Step 2:**

Slide the spring covers (7) over the safety straps and white frame caps. Working one at a time, compress the spring cover to expose the white frame cap and attach the spring (8) to the white frame cap. The hook on the spring simply clips over the inside lip of the white frame cap. Release the compressed spring cover.

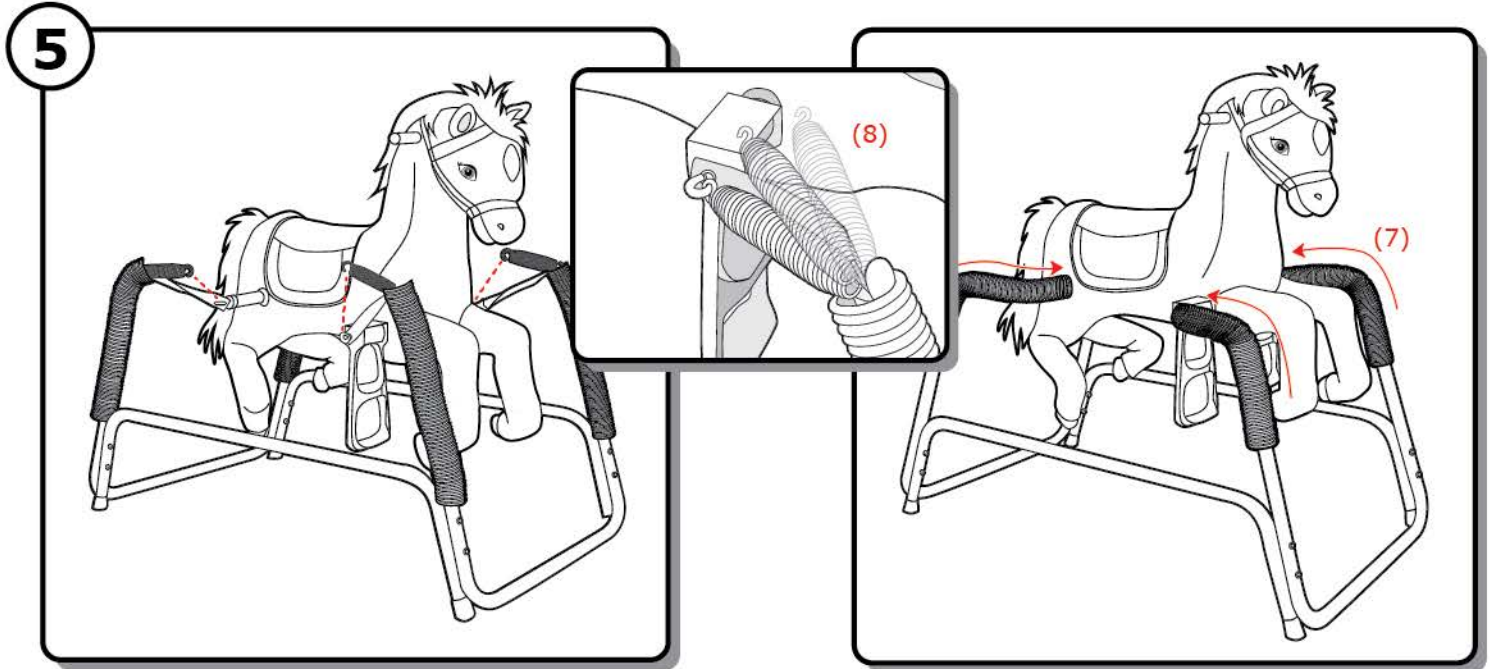
**Step 3:**

Insert the wood dowels (9) through the plastic tubes in the body (1). Line up the pre-drilled holes on the dowel with the holes in the plastic tubes and secure the dowels to the tubes using the dowel screws (10).



**Step 4:**

Slide the stirrups (11) over each side of the front dowel. Place the dowel caps (12) over the end of the dowel. Using eye bolts (13), attach the loose ends of the safety straps to the ends of the dowels. Ensure that the eyes bolts are completely tightened using a screwdriver and that the hole in the eye bolt is parallel to the floor. Failure to properly tighten and/or align the eye bolts can result in damage to the toy and possible injury to the rider.



**Step 5:**

Attach the loose ends of the springs to the eye bolts on the horse. Slide the four spring covers over all four spring assemblies until they are flush with the stirrups at the front and the body in the back. Ensure that all spring assemblies are covered by the spring covers to minimize pinching or chaffing during use.

**Step 6:**

Check the electronic features for correct function and replace batteries as needed. Check that all nuts and bolts are well tightened prior to use.

## **ELECTRONIC FEATURES**

Please note: For best performance of electronic features, we recommend replacing the batteries that came with this product with brand new alkaline batteries.

## **SOUND EFFECTS**

The sound effects are activated by squeezing either of the horse's ears. If the sound becomes distorted please replace the batteries as outlined in the Battery Replacement section of this manual.

## **VOLUME CONTROL**

You can adjust the sound effect volume by sliding the volume switch on the battery compartment to either low (I) or high (II). Please see the Battery Replacement section of this manual for the location of the battery compartment.

## **BATTERY REPLACEMENT**

The battery compartment is located under a Velcro strip on the left side of the horse's mane. You will need a small Phillips screwdriver to open the compartment. When you are finished replacing the batteries, securely fasten battery cover and screw, stick the battery box back into the pouch, and re-seal the Velcro strip.

### **⚠ WARNING:**

- 1) Only an adult should replace batteries.
- 2) Remove exhausted batteries and dispose of properly.
- 3) This toy uses 2 AA batteries.
- 4) Install batteries correctly observing the polarity (+,-) signs.
- 5) We recommend use of alkaline batteries for optimal performance of electronic features.
- 6) Do not mix old and new batteries.
- 7) Do not mix alkaline, standard (Carbon-Zinc), and rechargeable (Ni-Cad) batteries. Only batteries of the same or equivalent type as recommended are to be used.
- 8) Remove the batteries if the toy will not be in use for an extended period of time.

### **Care and Maintenance**

- Check all nuts and screws prior to use and periodically thereafter. Tighten or replace as necessary.
- Product may be cleaned with a mild household detergent and warm water.
- Scratches on metal parts may be touched up with a non-lead based paint.
- Do not place near stairways, wall heaters, fireplace or any source of extreme heat.
- Check all plastic and metal parts for cracks, cuts and/or excessive wear. Replace as necessary.
- Any contact with moisture or liquid may damage the electronics.
- Occasionally check to see that all nuts and screws are tight and secure.
- If the sound is not operating correctly, replace the batteries.
- Make sure all hardware is tightened and spring covers are securely in place before the child rides the toy.
- Please note: all springs, stirrups, screws and spring covers are contained inside the small box within the package for shipping purposes

This product conforms to ASTM-F963. Standard Consumer Safety Specifications on Toy Safety. This instruction manual contains assembly instructions, safety and maintenance tips.

### **PLEASE KEEP THIS MANUAL FOR FUTURE REFERENCE**

Tek Nek Toys International, Inc.

Made in Dongguan, China.

Colleyville, TX 76034 USA

**myrockinrider.com**

**Model Numbers: 1-80018, 1-80019,  
1-80145, 1-80146**

### **⚠ WARNING**

WHEN CHANGING THE BATTERIES, THE SCREW THAT SECURES THE BATTERY COMPARTMENT SHOULD BE KEPT AWAY FROM CHILDREN AS IT POSES A POTENTIAL CHOKING OR INHALATION HAZARD.