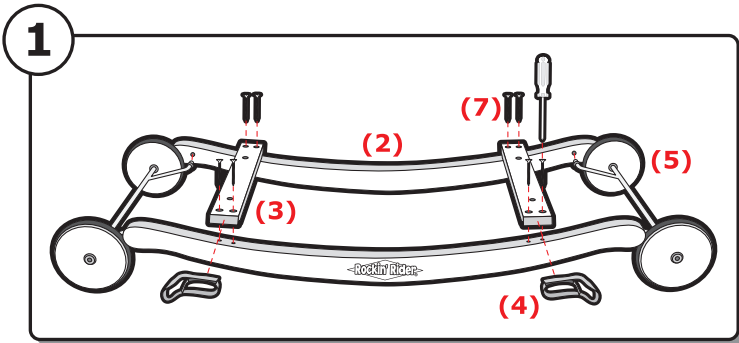
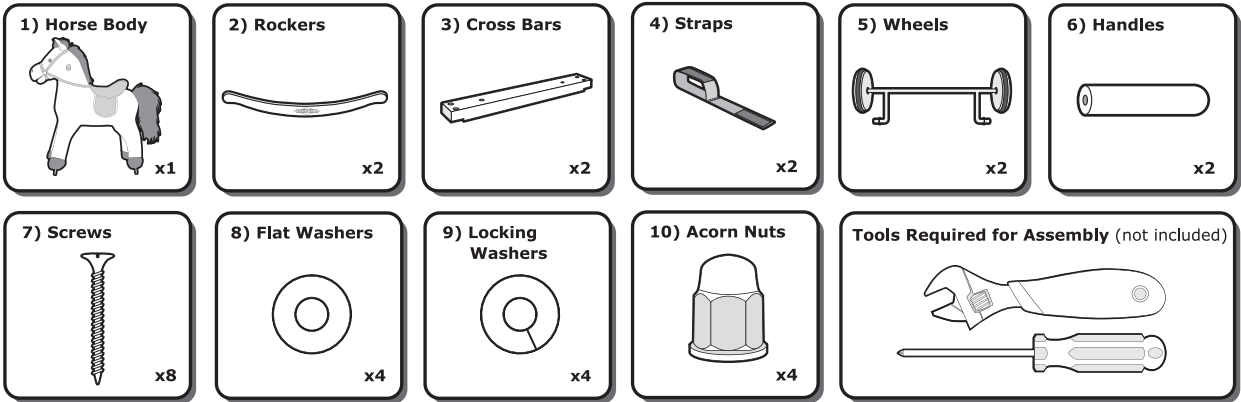


Rockin' Rider®

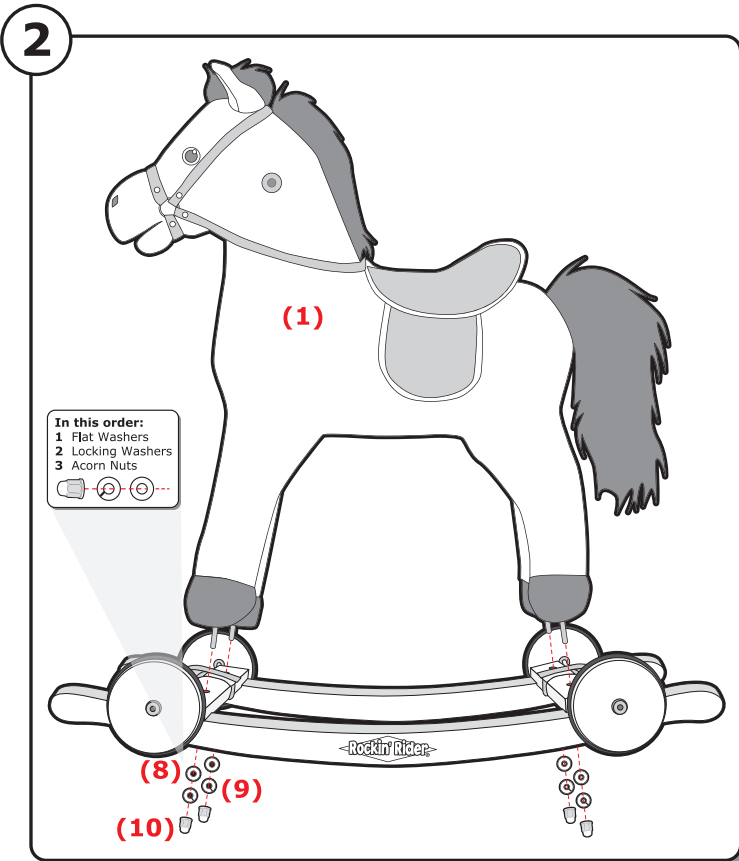
2-IN-1 HORSE MANUAL

PARTS AND TOOLS LIST



Step 1:

Place wheels (5) in-between both rockers (2) and insert into the holes on inside of rockers (logo should be facing outwards). Slip the loop side of the straps (4) over the crossbars (3). Line up holes on the ends of crossbars (3) with holes on top of the rockers (2). Secure crossbars (3) to rockers (2) with screws (7) and tighten with screwdriver.

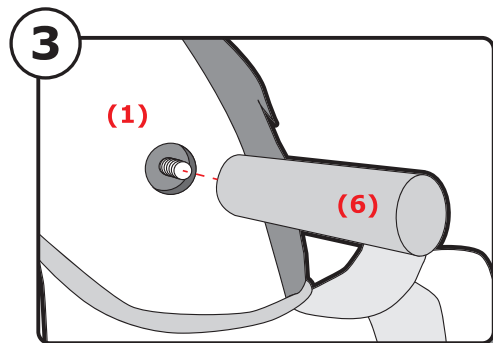


Step 2:

Align screws on the horse's hooves (1) with the holes on the base. You may have to pull horse's legs to align with the holes on the base. Secure, in this order, the flat washers (8), locking washers (9) and then acorn nuts (10) to the bottom of the base and tighten with wrench.

Step 3:

Screw handles (6) into horse's neck (1). Check that all nuts, screws and handles are secure before giving to child.



⚠ WARNING

- **PARENTS: MONITOR YOUR CHILD'S PLAY ACTIVITY TO ENSURE PROPER AND SAFE USE OF THIS PRODUCT.**
- **REMOVE ALL PACKAGING, CLIPS, STAPLES, TIES AND SIMILAR ATTACHMENTS BEFORE GIVING THIS TOY TO A CHILD, AS THESE ATTACHMENTS POSE A POTENTIAL CHOKING HAZARD AND ARE NOT PART OF THE TOY.**
- **ADULT ASSEMBLY IS REQUIRED.**
- **PARENTAL SUPERVISION IS REQUIRED.**
- This product is designed for a child at least 3 years old and weight not exceeding 65 lbs (29.5 kgs).

- Allow only one child on the product at a time.
- Never allow the child to play with the product near roadways, streets, swimming pools, hills, sloped driveways, ramps, steep inclines, or stairs. Use only on a level surface.
- Always wear shoes while riding.
- Do not allow another child to push the product when a child is sitting on it.
- Do not allow the child to stand on the product.
- The child should always sit in the forward facing position.
- Inspect toy periodically for loose or damaged components.
- Tighten with tools, finger tightening is not sufficient.

CONVERT FROM ROCKER TO ROLLER

To convert from a rocking horse to a rolling horse, undo the Velcro straps securing the wheels to the top of the base and flip them around and secure them to the bottom of the base with the Velcro straps.

ELECTRONIC FEATURES

Please note: For best performance of electronic features, we recommend replacing the batteries that came with this product with brand new alkaline batteries.

SOUND EFFECTS

The sound effects are activated by squeezing either of the horse's ears. If the sound becomes distorted please replace the batteries as outlined in the Battery Replacement section of this manual.

BATTERY REPLACEMENT

The rocking horse's battery compartment is located on the bottom of its stomach. You will need a small Phillips screwdriver to open it, and when you are finished replacing batteries securely fasten battery cover and screw.

⚠ WARNING

- 1) Only an adult should replace batteries.
- 2) When changing the batteries, the screw that secures the battery compartment should be kept away from children as it poses a potential choking or inhalation hazard.
- 3) Remove exhausted batteries and dispose of properly.
- 4) This toy uses 3AA batteries.
- 5) Install batteries correctly observing the polarity (+,-) signs.
- 6) We recommend use of alkaline batteries for optimal performance of electronic features.
- 7) Do not mix old and new batteries.
- 8) Do not mix alkaline, standard (Carbon-Zinc), and rechargeable (Ni-Cad) batteries. Only batteries of the same or equivalent type as recommended are to be used.
- 9) Remove the batteries if the toy will not be in use for an extended period of time.

CARE AND MAINTENANCE

- Verify that all nuts and screws are properly secured prior to use.
- Product may be cleaned with a mild household detergent and warm water.
- Do not place near stairways, wall heaters, fireplace or any source of extreme heat.
- Check all parts for cracks, cuts and/or excessive wear. Replace as necessary.
- Any contact with moisture or liquid may damage the electronics.
- Occasionally check to see that all nuts and screws are tight and secure. Tighten with tool as necessary.
- If the sound is not operating correctly, replace the batteries.
- Make sure all hardware is securely tightened before the child rides the toy.

This product conforms to ASTM-F963. Standard Consumer Safety Specifications on Toy Safety. This instruction manual contains assembly instructions, safety and maintenance tips.

PLEASE KEEP THIS MANUAL FOR FUTURE REFERENCE

Tek Nek Toys International, Inc.
1904 Industrial Blvd., Ste. 100-101
Colleyville, TX 76034 USA
1-888-900-0155
customerservice@teknektoys.com

Made in Jurong, China.
Pat. No. US 6,524,156/6,780,076

www.myrockinrider.com

⚠ WARNING :

ADULT SUPERVISION REQUIRED.

THIS PACKAGE CONTAINS SMALL PARTS WHICH HAVE HAZARDOUS SHARP POINTS IN THE UNASSEMBLED STATE. FOR ADULT ASSEMBLY ONLY. CARE SHOULD BE TAKEN IN THE UNPACKING AND ASSEMBLY OF THIS TOY.

⚠ WARNING :

ANY RUBBER BANDS, PLASTIC SECURING BANDS, WIRE TIES AND TAGS, USED IN THIS PACKAGING ARE NOT PART OF THIS PRODUCT AND SHOULD BE REMOVED FOR YOUR CHILD'S SAFETY. ANY CONTACT WITH MOISTURE OR LIQUID WILL DAMAGE THE ELECTRONICS. COLORS AND DECORATIONS MAY VARY.